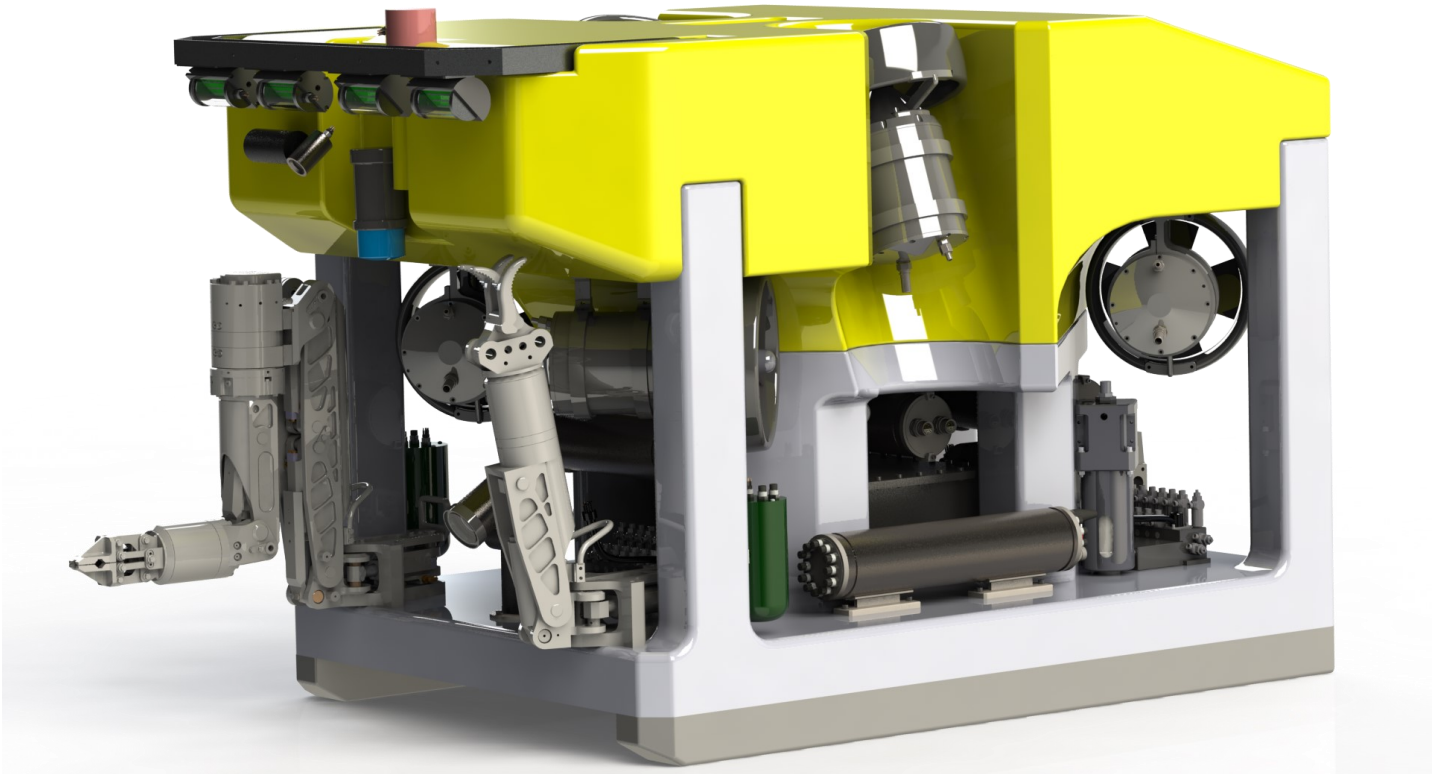


Argus Bathysaurus

3000msw ROV system



- Medium Work Class ROV. 60 HP
- Up to 7000 metres depth rated
- 7 function Schilling Orion Manipulator
- 4 function Schilling 4R Manipulator
- Through frame lifting capacity of 1.0 Te
- For Scientific, Military, Salvage

Argus Bathysaurus

3000msw ROV system

TECHNICAL SPECIFICATIONS

General

Dimensions:	
Length	: 2,2m
Width	: 1,3m
Height	: 1,4m
Weight	: 1600kg
Payload	: 150kg
Frame	: Buoyancy covered with fiberglass
Pods	: Hard anodised Aluminum
Connectors	: Subconn / Seaconn
Buoyancy	: Syntactic foam
Depth rating	: Up to 7000msw
Through frame lift	: 1 ton

Power requirements

ROV/HPU Power input	: 440VAC , 45kW , 3-phase
Thrusters	: 6 x electric, 4 Horizontal and 2 vertical
HPU Tooling	: 6kW , 210bar-14lpm

Optional HPU	: 18kW , 210bar-40lpm
--------------	-----------------------

Performance

Bollard pull fwd	: 400kg
lat	: 400kg
vert	: 260kg
Speed fwd	: >3,5kn
vert	: 2kn

No drop in performance when using vertical and horizontal thrusters simultaneously, as opposed to hydraulic subs.

Surface controls

Control Container	: 20" feet container
Power distribution panel	: Fitted LIMS for Power safety
Control Console	: Integrated joysticks in pilot chair Integrated touch screen 19" inch rack Argus Video overlay HD Hard Disk Recorder 1 x ergonomic pilot chair 1 x ergonomic co-pilot chair
Workshop Container	: 10 or 20" feet container 3000VAC power to ROV



Standard equipment fit

Manipulators	: 1x4 function Schilling 4R 1x7 function Schilling Orion
Cameras	: 1 x F/Z HDTV 1080i camera 1 x Lowlight Black & White camera 2 x Utility cameras
Sonar	: Mesotech MS1000 or equivalent
Altimeter	: Mesotech 1007 or equivalent
Lights	: 6 x Argus 130W LED Lights, gives 90 000 lumen, 6500 Kelvin in total
Pan & Tilt	: ROS 24VDC or equivalent
Depth sensor	: SAIV TD303, equal to digiquartz
Compass	: KVH C-100 Fluxgate Argus Rate Gyro TOGS North seeking Gyro (optional)
Auto functions	: Auto Head Auto Depth Auto Altitude
Hyd outlets	: 7 outlets fitted, additional on request
Survey sensors	: 3 x survey outlets fitted for RS-232, Optional Ethernet and MBE channels

Video recording equipment

HDTV Video system transmitting HD-SDI from the camera to the surface. HD Video overlay and a HD Video Recorder.

LARS/Winch/TMS

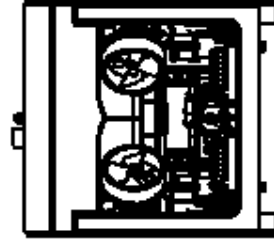
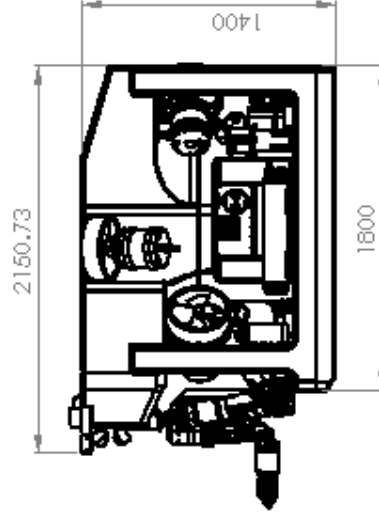
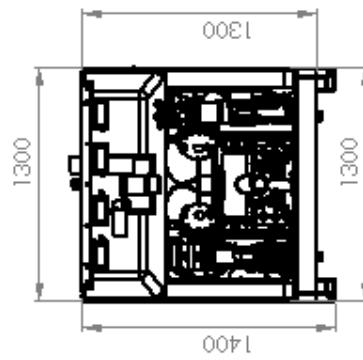
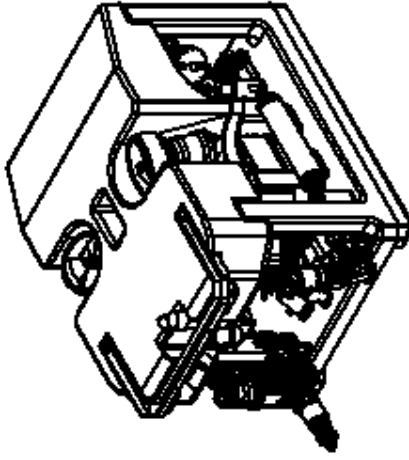
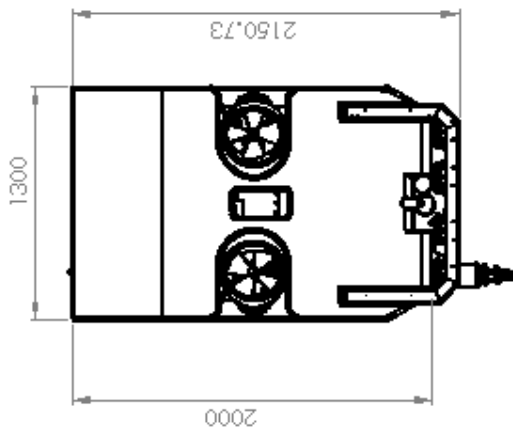
Standard LARS systems for 3000m depth

LARS is available with or without AHC

TMS is available with 600m tether

Free flying systems available up to 7000m depth





UNITS ORDERED SPECIFIED:		TEMP.		DRIVE AND DRIVE SHAFT TIGHT		DO NOT SCALF DRAWING		P/N/SDP	
SIZES AND WEIGHTS:		TEMP.		DRIVE AND DRIVE SHAFT TIGHT		DO NOT SCALF DRAWING		P/N/SDP	
SIZES AND WEIGHTS:		TEMP.		DRIVE AND DRIVE SHAFT TIGHT		DO NOT SCALF DRAWING		P/N/SDP	
BEARING	TEMP.	DRIVE AND DRIVE SHAFT TIGHT	DO NOT SCALF DRAWING	P/N/SDP					
CLAMP	TEMP.	DRIVE AND DRIVE SHAFT TIGHT	DO NOT SCALF DRAWING	P/N/SDP					
APPLY	TEMP.	DRIVE AND DRIVE SHAFT TIGHT	DO NOT SCALF DRAWING	P/N/SDP					
MFG	TEMP.	DRIVE AND DRIVE SHAFT TIGHT	DO NOT SCALF DRAWING	P/N/SDP					
D.A.	TEMP.	DRIVE AND DRIVE SHAFT TIGHT	DO NOT SCALF DRAWING	P/N/SDP					
				MATERIAL				SCALF 150	
								SHEET 1 OF 1	
Argus Bathysaurus General arrangement									
A3									